



U215VI

series U215AVI

Two-way Loudspeaker System

The U215VI is a 15", high power, two way full range speaker with bright and powerful sound. Unit configuration: 1x15" high efficiency mid-bass unit, 1x1.4" exit throat 75mm titanium diaphragm HF driver with 90°x40° rotatable horn. The cabinet is made of multilayer composite plywood with wear-resistant polyurea paint. U215AVI is an active speaker with two channels and DSP digital amplifier.

U215VI是一款双15"两分音全频音箱，具有高功率，大输出、音质明亮有力度等特点。单元配置：2只15"高效率中低音单元，1只1.4"喉口75毫米钛膜高音驱动器配置90°x50°可号角。箱体采用多层复合夹板，耐磨聚氨酯喷涂。U215AVI是一款两通道带DSP的有源音箱。



FEATURES

- High quality unit configuration, high strength plywood housing
- High power
- Applications: indoor and outdoor sound reinforcement in full range, multifunction halls

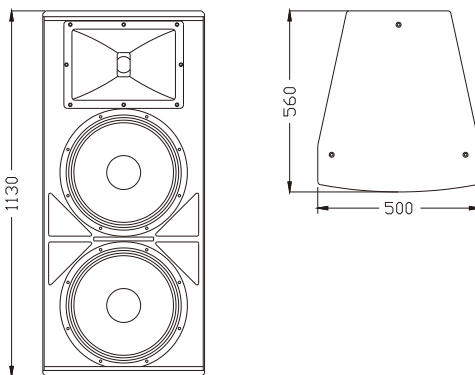
产品特点

- 高质量单元配置，高强度夹板箱体
- 高功率输出

适用范围

- 用于全音域室内、外扩声
- 多功能厅

CONFIGURATION



MODEL

FREQUENCY RESPONSE(-3dB)

FREQUENCY RESPONSE(-10dB)

DRIVERS

RATED POWER

SENSITIVITY

MAXIMUM SPL

IMPEDANCE

DISPERSION(-6dB)

CROSSOVER FREQUENCIES

INPUT CONNECTORS

PACKAGE SIZE

NET WEIGHT

GROSS WEIGHT

U215VI

40 Hz-18kHz

35 Hz-20kHz

2×15"(385mm)/4"voice coil LF

1×2"(50mm)/3"voice coil HF

1200W RMS,4800W peak

101dB 1watt/1meter

132dB continuous,138dB peak

4 ohms nominal

90°×50°

1.5kHz passive

2×Speakon NL4

660mm×605mm×1250mm

64 kg/pc

70 kg/pc

U215AVI

40 Hz-18kHz

35 Hz-20kHz

2×15"(385mm)/3"voice coil LF

1×2"(50mm)/3"voice coil HF

300W/8Ω+1200W/4Ω

--

130dB continuous,136dB peak

--

90°×50°

--

INPUT TYPE:Balanced Differential line

660mm×605mm×1250mm

55 kg/pc

61 kg/pc