



# U115VI

## series U115AVI

### Two-way Loudspeaker System

The U115VI is a 15" two way full range speaker with bright and powerful sound. Unit configuration: 1x15" high efficiency mid-bass unit, 1x1.4" exit throat 75mm composite diaphragm HF driver with 90°×40° rotatable horn. The cabinet is made of multilayer composite plywood with wear-resistant polyurea paint. U115AVI is an active speaker with two channels and DSP digital amplifier.

U115VI是一款15"两分音全频音箱，具有音质明亮、有力度等特点。单元配置：1只15"高效率中低音单元，1只1.4"喉口75芯复合振膜高音驱动器配置90°×40°可旋转号角。箱体采用多层复合夹板，耐磨聚脲喷涂。U115AVI是一款两通道带DSP的有源音箱。

#### FEATURES

- Product parameters have been entered into EASE loudspeaker database
- High quality unit configuration, high strength plywood housing
- Multi-hanging points and support, easy and quick operation
- Applications: large-scale indoor sound reinforcement, multifunction halls, high-end hotel clubs, touring, band reinforcement and monitor speaker

#### 产品特点

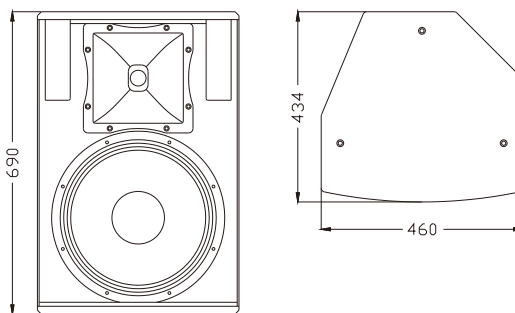
- 产品参数已录入EASE扬声器数据库
- 高质量单元配置，高强度夹板箱体
- 多吊挂点与支撑配合，操作简易快捷

#### 适用范围

- 大型室内扩声补声
- 多功能厅、高级酒店会所
- 流动商演、乐队扩声以及舞台返送音箱



#### CONFIGURATION



#### MODEL

FREQUENCY RESPONSE(-3dB)

FREQUENCY RESPONSE(-10dB)

DRIVERS

RATED POWER

SENSITIVITY

MAXIMUM SPL

IMPEDANCE

DISPERSION(-6dB)

CROSSOVER FREQUENCIES

INPUT CONNECTORS

PACKAGE SIZE

NET WEIGHT

GROSS WEIGHT

#### U115VI

45Hz-18kHz

40 Hz-20kHz

1×15"(385mm)/3"voice coil LF

1×1.4"(36mm)/3"voice coil HF

400W RMS,1600W peak

98dB 1watt/1meter

124dB continuous,130dB peak

8 ohms nominal

90°×40°

1.5kHz passive

2×Speakon NL4

580mm×560mm×820mm

30 kg/pc

35 kg/pc

#### U115AVI

45Hz-18kHz

40 Hz-20kHz

1×15"(385mm)/2.5"voice coil LF

1×1"(25mm)/1.4"voice coil HF

500W/4Ω+50W/8Ω

--

124dB continuous,130dB peak

--

90°×40°

--

INPUT TYPE:Balanced Differential line

580mm×560mm×820mm

25 kg/pc

30 kg/pc