

THseries TH315 TH315A

Three-way Loudspeaker System

pro audio

TH315 is a 3-way 15", high sensitivity, high SPL, long-throw speaker. Mid-bass and mid-high coaxial driver all feature horn-loaded design, sound quality is balanced, clear and bright. Unit configuration: 1x15" high efficiency neodymium mid-bass unit, 1x2" exit throat 90mm voice coil neodymium MF driver, 44mm neodymium HF driver coaxial unit. The cabinet is made of multilayer composite plywood with wear-resistant polyurea paint. TH315A is equipped with two channels digital amplifier with DSP based on TH315 to be an active speaker.

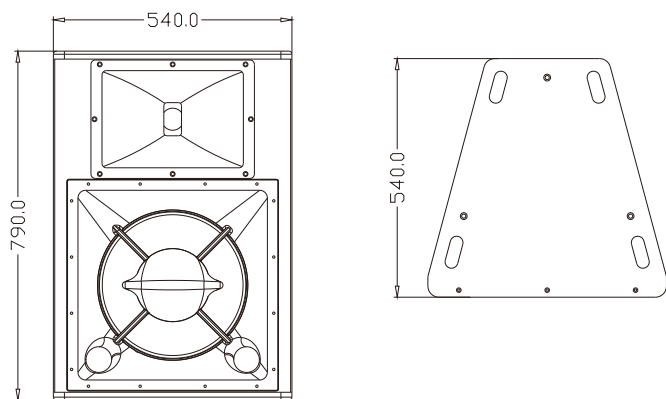
TH315是一款三分频15", 高声压级中远程音箱。中低音与同轴中高音驱动器全部采用号角负载设计, 整只音箱有较高的灵敏度, 音质均衡、清晰、明亮。单元配置: 1只15"钕磁高效率中低音单元, 1只2"喉口90芯中音、44芯高音同轴钕磁驱动器, 箱体采用多层复合夹板, 耐磨聚脲喷涂。TH315A是在TH315的基础上配置两通道D类带DSP的功放成为有源音箱。



FEATURES

- Real 3-way speaker
- Compact cabinet design
- Mid, high and LF driver all features horn-loaded design, high SPL
- Frequency response equalization
- Applications: theatres, concert halls, multifunction halls, lecture halls, bars, live houses, large-scale sound reinforcement and touring

CONFIGURATION



产品特点

- 真正的三分频音箱
- 紧凑型箱体设计, 中、高、低音全部采用号角负载设计, 高声压级输出
- 频响均衡

适用范围

- 剧院、音乐厅、多功能厅、报告厅
- 酒吧、LIVE HOUSE
- 大型场景补声
- 流动演出

MODEL

FREQUENCY RESPONSE(-3dB)
FREQUENCY RESPONSE(-10dB)
DRIVERS

RATED POWER

SENSITIVITY
MAXIMUM SPL
IMPEDANCE
DISPERSION(-6dB)
CROSSOVER FREQUENCIES
INPUT CONNECTORS
PACKAGE SIZE
NET WEIGHT
GROSS WEIGHT

TH315

50Hz-18KHz
45Hz-20kHz
1×15"(385mm)/3"voice coil LF
1×2"(50mm)/3.5"voice coil MF
1×2"(50mm)/1.7"voice coil HF
400W RMS,1600W peak
100dB 1watt/1meter
126dB continuous,132dB peak
8 ohms nominal
70°×40°
500Hz, 5kHz passive
2×Speakon NL4
620mm×620mm×870mm
41 kg/pc
46 kg/pc

TH315A

50Hz-18KHz
45Hz-20kHz
1×15"(385mm)/3"voice coil LF
1×2"(50mm)/3.5"voice coil MF
1×2"(50mm)/1.7"voice coil HF
300W/8Ω+800W/8Ω
--
126dB continuous,132dB peak
--
70°×40°
--
INPUT TYPE: Balanced Differential line
620mm×620mm×870mm
44 kg/pc
49 kg/pc