



# series S215

## Three-way Loudspeaker System

The S215 is a dual 15" two way full range speaker with bright and powerful sound. Unit configuration: 2x15" high efficiency mid-bass unit, 1x2" exit throat 75mm titanium diaphragm HF driver with 90°×50° rotatable horn. The cabinet is made of multilayer composite plywood with wear-resistant polyurea paint.

S215是一款双15"两分音全频音箱。具有音质明亮、有力度等特点。单元配置：2只15"高效率低音单元，1只2"喉口75芯钛膜高音驱动器配置90°×50°号角。箱体采用多层复合夹板，耐磨聚脲喷涂。

### FEATURES

- High quality unit configuration, high strength plywood housing
- High SPL
- Applications: indoor and outdoor sound reinforcement in full range, multifunction halls

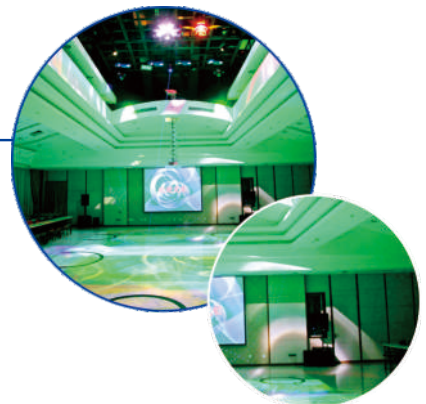
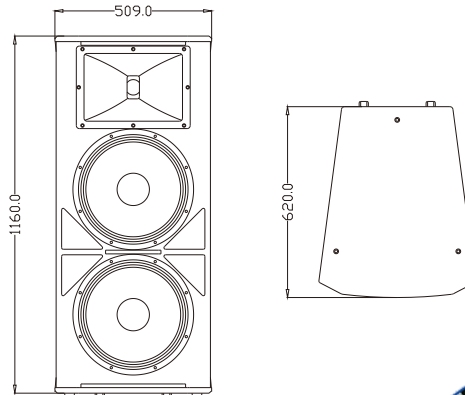
### 产品特点

- 高质量单元配置，高强度夹板箱体
- 高功率输出

### 适用范围

- 用于全音域室内、外扩声
- 多功能厅

### CONFIGURATION



### MODEL

FREQUENCY RESPONSE(-3dB)

FREQUENCY RESPONSE(-10dB)

### DRIVERS

RATED POWER

SENSITIVITY

MAXIMUM SPL

IMPEDANCE

DISPERSION(-6dB)

CROSSOVER FREQUENCIES

INPUT CONNECTORS

PACKAGE SIZE

NET WEIGHT

GROSS WEIGHT

### S215

50Hz-18KHz

45Hz-20KHz

2×15"(385mm)/3"voice coil LF

1×2"(50mm)/3"voice coil HF

800W RMS,3200W peak

99dB 1watt/1meter

128dB continuous,134dB peak

4 ohms nominal

80°×40°

1.3kHz passive

2×Speakon NL4

715mm×615mm×1255mm

55 kg/pc

61 kg/pc