



pro audio



series S206

Two-way Loudspeaker System

The S206 is a 2x6.5", small sized, light weight, two way full range speaker with clear and soft sound. Unit configuration: 2x6.5" high efficiency mid-bass unit, 1x1" exit throat 34mm polyester diaphragm HF driver coaxial unit. The cabinet is made of multilayer composite plywood with wear-resistant polyurea paint.

S206是一款双6.5"两分音全频音箱，具有体积小、重量轻、音质清晰、柔和等特点。单元配置：1只6.5"高效率中低音单元，1只6.5"与1"喉口34芯聚酯膜高音驱动器组成的同轴单元。箱体采用多层复合夹板，耐磨聚脲喷涂。

FEATURES

- Clear and soft sound
- Multi-ways for installation
- Applications: conference rooms, multifunction halls, classrooms

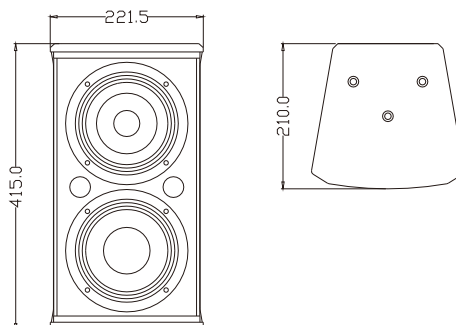
产品特点

- 音质清晰、柔和
- 多种安装方式

适用范围

- 会议室、多功能厅，教室

CONFIGURATION



MODEL

FREQUENCY RESPONSE(-3dB)

FREQUENCY RESPONSE(-10dB)

DRIVERS

RATED POWER

SENSITIVITY

MAXIMUM SPL

IMPEDANCE

DISPERSION(-6dB)

CROSSOVER FREQUENCIES

INPUT CONNECTORS

PACKAGE SIZE

NET WEIGHT

GROSS WEIGHT

S206

90 Hz-18kHz

85Hz-20KHz

2×6.5"(165mm)/2"voice coil LF

1×1"(25mm)/1.4"voice coil HF

240W RMS,960W peak

93dB 1watt/1meter

116dB continuous,122dB peak

4 ohms nominal

90°×50°

300Hz, 2.5kHz passive

Covered barrier strip terminals

280mm×280mm×490mm

10 kg/pc

12 kg/pc

