



pro audio



series S112

Two-way Loudspeaker System

The S112 is a 12" two way full range speaker with clear, soft and powerful sound. Unit configuration: 1x12" high efficiency mid-bass unit, 1x1" exit throat 44mm polyester diaphragm HF driver with 90°x50° rotatable horn. The cabinet is made of multilayer composite plywood with wear-resistant polyurea paint.

S112是一款12"两分音全频音箱，具有音质清晰、柔和有力度等特点。单元配置：1只12"高效率中低音单元，1只1"喉口44芯聚酯膜高音驱动器配上90°x50°可旋转号角。箱体采用多层复合夹板，耐磨聚脲喷涂。

FEATURES

- High quality unit configuration, high SPL
- Rotatable horn, multi-ways for installation
- Applications: conference rooms, multifunction halls, classrooms, hotel entertainment, touring

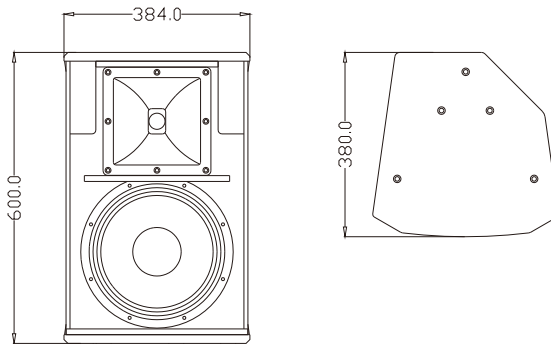
产品特点

- 高品质单元配置，高声压级输出
- 可旋转号角，多种安装方式

适用范围

- 会议室、多功能厅，教室
- 酒店娱乐、流动演出

CONFIGURATION



MODEL

FREQUENCY RESPONSE(-3dB)
 FREQUENCY RESPONSE(-10dB)
 DRIVERS

RATED POWER
 SENSITIVITY

MAXIMUM SPL
 IMPEDANCE
 DISPERSION(-6dB)
 CROSSOVER FREQUENCIES

INPUT CONNECTORS
 PACKAGE SIZE
 NET WEIGHT
 GROSS WEIGHT

S112

55Hz-18KHz
 50Hz-20KHz
 1×12"(300mm)/3"voice coil LF
 1×1"(25mm)/1.7"voice coil HF
 300W RMS,1200W peak
 97dB 1watt/1meter
 122dB continuous,128dB peak
 8 ohms nominal
 90°×50°
 1.7kHz passive
 2×Speakon NL4
 464mm×460mm×700mm
 20 kg/pc
 24 kg/pc

