

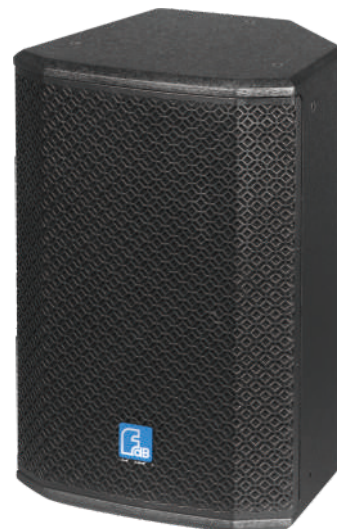
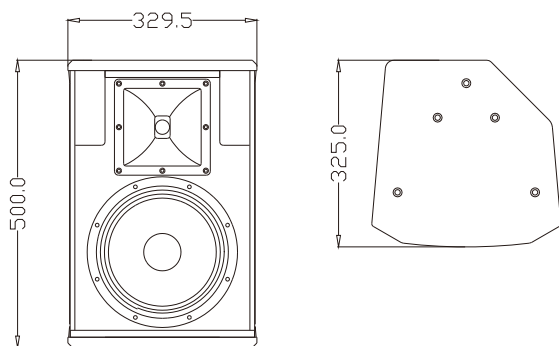
# series **S110**

## Two-way Loudspeaker System

The S110 is a 10", small sized, two way full range speaker with clear and soft sound. Unit configuration: 1x10" high efficiency mid-bass unit, 1x1" exit throat 44mm polyimide diaphragm HF driver with 90°×50° rotatable horn. The cabinet is made of multilayer composite plywood with wear-resistant polyurea paint.

S110是一款10"两分音全频音箱，具有体积小、音质清晰、柔和等特点。单元配置：1只10"高效率中低音单元，1只1"喉口44芯聚酯膜高音驱动器配上90°×50°可旋转号角。箱体采用多层复合夹板，耐磨聚脲喷涂。

### CONFIGURATION



### FEATURES

- Clear and soft sound
- Multi-ways for installation
- Applications: conference rooms, multifunction halls, classrooms, hotel entertainment, touring

### 产品特点

- 音质清晰、柔和
- 多种安装及使用方式

### 适用范围

- 会议室、多功能厅，教室
- 酒店娱乐、流动演出



**MODEL**  
**FREQUENCY RESPONSE(-3dB)**  
**FREQUENCY RESPONSE(-10dB)**  
**DRIVERS**

**RATED POWER**  
**SENSITIVITY**  
**MAXIMUM SPL**  
**IMPEDANCE**  
**DISPERSION(-6dB)**  
**CROSSOVER FREQUENCIES**  
**INPUT CONNECTORS**  
**PACKAGE SIZE**  
**NET WEIGHT**  
**GROSS WEIGHT**

**S110**  
 70 Hz-18kHz  
 65 Hz-20kHz  
 1×10"(250mm)/2.5"voice coil LF  
 1×1"(25mm)/1.7"voice coil HF  
 250W RMS,1000W peak  
 95dB 1watt/1 metre  
 119dB continuous,125 dB peak  
 8 ohms nominal  
 90°×50°  
 1.7kHz passive  
 2×Speakon NL4  
 410mm×405mm×600mm  
 14 kg/pc  
 17 kg/pc