

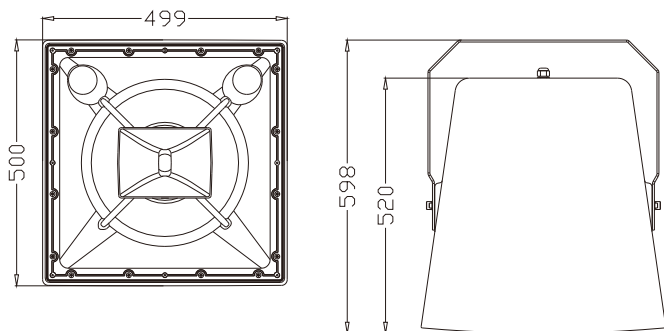
# LTseries **LT215** **LT215T**

## Two-way Loudspeaker System

**LT215 is a 15", coaxial, two-way, all-weather, long-throw speaker**, with waterproof, dustproof, windproof, anti-uv aging, specially designed dustproof and waterproof cover for input and output, has a pressing device, five-layer different functional grille. The cabinet meets the IP56 standard. The exposed metal parts are made of stainless steel or aluminum, and the mounting bracket is sprayed with low-carbon steel, which can meet all-weather use (the version suitable for the marine environment can be customized, and the mounting bracket is upgraded to 316 stainless steel). Unit configuration: 1x15" ferrite mid-bass and 1x 1.4" exit throat 75mm HF driver with horn loaded, the cabinet is made of polymer compound injection molding. LT215T is equipped with transformer and band switch based on LT215 to achieve a variety of different output powers including constant resistance.

LT215是一款15"同轴两分音全天候中远程音箱，具有防水、防尘、防风、抗紫外线老化、输入输出用专门设计的防尘防水盖板，并有迫紧装置，五层不同功能面网设计。产品满足IP56标准，外露金属件采用不锈钢或铝质喷涂，安装支架为低碳钢喷涂满足全天候使用(可以定制适应海洋环境的版本，安装支架升级为316不锈钢)，单元配置：1只15"铁氧体中低音与1.4"喉口75芯高音驱动器加载号角。箱体采用高分子化合物射出成型。LT215T是在LT215的基础上配置音频变压器及波段开关，实现多种不同输出功率包括定阻。

### CONFIGURATION



### FEATURES

- Product parameters have been entered into EASE loudspeaker database
- Pass IP56 testing, meet all-weather use
- The cabinet is made of polymer compound injection molding
- Coaxial point sound source
- Horn-loaded design
- Applications: parks, plazas, stadiums, sound reinforcement of scenic areas, transportation hubs, seashores(customized)

### 产品特点

- 产品参数已录入EASE扬声器数据库
- 产品通过IP56测试，满足全天候使用
- 箱体采用高分子化合物射出成型
- 同轴点声源
- 号角负载设计

### 适用范围

- 主题公园、广场、体育场、景区扩声、交通枢纽
- 海边户外扩声（需定制）

#### MODEL

FREQUENCY RESPONSE(-3dB)

FREQUENCY RESPONSE(-10dB)

DRIVERS

INPUT VOLTAGE

RATED POWER

SENSITIVITY

MAXIMUM SPL

IMPEDANCE

DISPERSION(-6dB)

CROSSOVER FREQUENCIES

INPUT CONNECTORS

PACKAGE SIZE

NET WEIGHT

GROSS WEIGHT

#### LT215

50Hz-18kHz

45Hz-20kHz

1×15"(385mm)/3"voice coil LF

1×1.4"(36mm)/3"voice coil HF

--

400W RMS,1600W peak

103dB 1watt/1 metre

129dB continuous,135dB peak

8 ohms nominal

60°×40°

1.5kHz passive

covered barrier strip terminals

610mm×585mm×570mm

28.5 kg/pc

31.5 kg/pc

#### LT215T

50Hz-18kHz

45Hz-20kHz

1×15"(385mm)/3"voice coil LF

1×1.4"(36mm)/3"voice coil HF

100V

75W/150W/300W/OFF/8Ω 400W

103dB 1watt/1 metre

129dB continuous,135dB peak

8 ohms nominal

60°×40°

1.5kHz passive

covered barrier strip terminals

610mm×585mm×570mm

31 kg/pc

34 kg/pc