

LTseries **LT115B** **LT115BT**

Sub-woofer System

LT115B is a 15" subwoofer, The cabinet meets the IP56 standard. The exposed metal parts are made of stainless steel or aluminum, and the mounting bracket is sprayed with low-carbon steel, which can meet all-weather use (the version suitable for the marine environment can be customized, and the mounting bracket is upgraded to 316 stainless steel). Unit configuration: 1x15" ferrite mid-bass, the cabinet is made of polymer compound injection molding. LT115BT is equipped with transformer and band switch based on LT115B to achieve a variety of different output powers including constant resistance. Can be matched with LT206/LT208/LT212/LT215 to improve the low frequency performance.

LT115B是一款15"超低音箱，产品满足IP56标准，外露金属件采用不锈钢或铝质喷涂，安装支架为低碳钢喷涂满足全天候使用(可以定制适应海洋环境的版本，安装支架升级为316不锈钢)，单元配置：1只15"铁氧体中低音，箱体采用高分子化合物射出成型。配合LT206/LT208/ LT212/ LT215使用，以提高低频表现，LT115BT是在LT115B的基础上配置音频变压器及波段开关，实现多种不同输出功率包括定阻。可与LT206T/LT208T/ LT212T/ LT215T配合使用，以提升低频表现。



pro audio

FEATURES

- Pass IP56 testing, meet all-weather use
- The cabinet is made of polymer compound injection molding
- Bass-reflex design, strong and natural bass
- Applications: Can be matched with LT206 / LT208/LT212/LT215

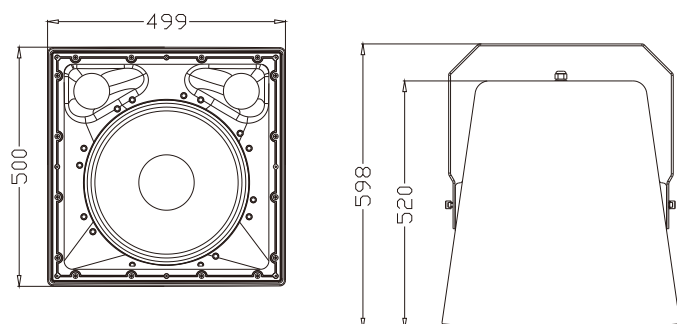
产品特点

- 产品通过IP56测试，满足全天候使用
- 箱体采用高分子化合物射出成型。
- 倒相式设计，低音强劲自然

适用范围

- 配合LT206/LT208/LT212/LT215使用

CONFIGURATION



MODEL

FREQUENCY RESPONSE(-3dB)

DRIVERS

INPUT VOLTAGE

RATED POWER

SENSITIVITY

MAXIMUM SPL

IMPEDANCE

DISPERSION(-6dB)

CROSSOVER FREQUENCIES

INPUT CONNECTORS

PACKAGE SIZE

NET WEIGHT

GROSS WEIGHT

LT115B

45Hz-300Hz

1×15"(385mm)/3"voice coil LF

--

400W RMS,1600W peak

98dB 1watt/1 metre

124dB continuous,130dB peak

8 ohms nominal

--

--

covered barrier strip terminals

610mm×585mm×570mm

22 kg/pc

25 kg/pc

LT115BT

45Hz-300Hz

1×15"(385mm)/3"voice coil LF

100V

75W/150W/300W/OFF/8Ω 400W

98dB 1watt/1 metre

124dB continuous,130dB peak

8 ohms nominal

--

--

covered barrier strip terminals

610mm×585mm×570mm

24.5 kg/pc

27.5 kg/pc