

LHseries LH215II

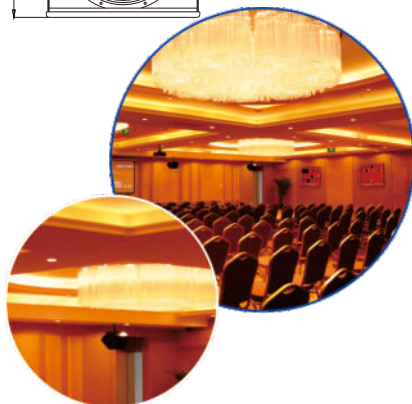
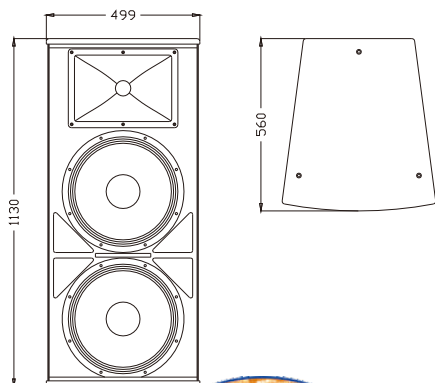
Two-way Loudspeaker System



The LH215 II is a dual 15", light weight, high SPL, two way full range speaker with bright and powerful sound. Unit configuration: 2x15" high power neodymium mid-bass unit, 1x2" exit throat 75mm neodymium titanium diaphragm HF driver with special designed horn. The cabinet is made of multilayer composite plywood with wear-resistant polyurea paint.

LH215 II 是一款双15"两分音全频音箱，具有重量轻、声压级大、声音明亮有力度等特点。单元配置：2只15"强磁高功率低音单元，1只2"喉口75芯钛膜高音驱动器配置专门设计的号角。箱体采用多层复合夹板，耐磨聚脲喷涂。

CONFIGURATION



FEATURES

- High quality unit configuration, high strength plywood housing
- Light weight, easy handling
- High power output
- Applications: indoor and outdoor sound reinforcement in full range, multifunction halls

产品特点

- 高质量单元配置，高强度夹板箱体
- 高功率输出
- 重量轻便于搬运

适用范围

- 用于全音域室内、外扩声
- 多功能厅

MODEL
FREQUENCY RESPONSE(-3dB)
FREQUENCY RESPONSE(-10dB)
DRIVERS

RATED POWER
SENSITIVITY
MAXIMUM SPL
IMPEDANCE
DISPERSION(-6dB)
CROSSOVER FREQUENCIES
INPUT CONNECTORS
PACKAGE SIZE
NET WEIGHT
GROSS WEIGHT

LH215 II
45 Hz-18kHz
40 Hz-20kHz
2×15"(385mm)/4"voice coil LF
1×2"(50mm)/3"voice coil HF
1200W RMS,4800W peak
101dB 1watt/1 metre
132dB continuous,138 dB peak
4 ohms nominal
90°×50°
1.5 kHz passive
2×Speakon NL4
660mm×605mm×1250mm
50 kg/pc
56 kg/pc