



pro audio



LHseries LH12 II

Two-way Loudspeaker System

FEATURES

- High quality unit configuration, high strength plywood housing
- Small size, light weight, easy handling and fixed installation
- Multi-hanging points and support, easy and quick operation
- Applications: large-scale indoor sound reinforcement, multifunction halls, high-end hotel clubs, touring, band reinforcement and monitor speaker

产品特点

- 高质量单元配置，高强度夹板箱体
- 重量轻便于搬运和固定安装
- 多吊挂点与支撑配合，操作简易快捷

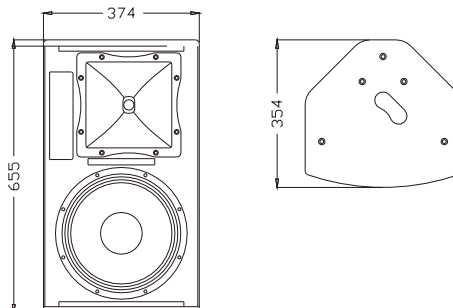
适用范围

- 大型室内扩声补声
- 多功能厅、高级酒店会所
- 流动商演、乐队扩声以及舞台返送音箱

The LH12 II is a 12", light weight, high SPL, two way full range speaker with clear and bright sound. Unit configuration: 1x12" high efficiency neodymium mid-bass unit, 1x1" exit throat 44mm neodymium polyimide diaphragm HF driver with 90°x40° rotatable horn. The cabinet is made of multilayer composite plywood with wear-resistant polyurea paint.

LH12 II 是一款12"两分音全频音箱，具有重量轻、声压级大、声音清新明亮等特点。单元配置：1只12"钕磁高效率低音单元，1只1"喉口44芯钕磁聚酯膜高音驱动器配置90°x40°可旋转号角。箱体采用多层复合夹板，耐磨聚脲喷涂。

CONFIGURATION



MODEL

FREQUENCY RESPONSE(-3dB)

FREQUENCY RESPONSE(-10dB)

DRIVERS

RATED POWER

SENSITIVITY

MAXIMUM SPL

IMPEDANCE

DISPERSION(-6dB)

CROSSOVER FREQUENCIES

INPUT CONNECTORS

PACKAGE SIZE

NET WEIGHT

GROSS WEIGHT

LH12 II

55 Hz-18kHz

50 Hz-20kHz

1×12"(300mm)/3"voice coil LF

1×1"(25mm)/1.7"voice coil HF

300W RMS,1200W peak

97dB 1watt/1 metre

122dB continuous,128 dB peak

8 ohms nominal

90°×40°

2.5kHz passive

2×Speakon NL4

470mm×450mm×755mm

17 kg/pc

19 kg/pc

