

LHseries LH10 II

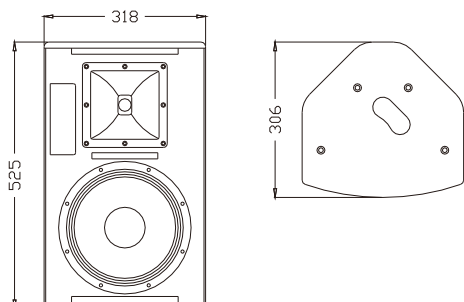
Two-way Loudspeaker System



The LH10 II is a 10", small sized, light weight, high SPL, two way full range speaker with clear and bright sound. Unit configuration: 1x10" high efficiency neodymium mid-bass unit, 1x1" exit throat 44mm neodymium polyimide diaphragm HF driver with 90°×50° rotatable horn. The cabinet is made of multilayer composite plywood with wear-resistant polyurea paint.

LH10 II 是一款10"两分音全频箱，具有体积小、重量轻、声压级大、声音清新明亮等特点。单元配置：1只10"钕磁高效率低音单元，1只1"喉口44芯钕磁聚酯膜高音驱动器配置90°×50°可旋转号角。箱体采用多层复合夹板，耐磨聚脲喷涂。

CONFIGURATION



FEATURES

- High quality unit configuration, high strength plywood housing
- Small size, light weight, easy handling and fixed installation
- Multi-hanging points and support, easy and quick operation
- Applications: speech reinforcement, conference rooms, multifunction halls, high-end hotel clubs, touring, band reinforcement and monitor speaker

产品特点

- 高质量单元配置，高强度夹板箱体
- 体积小、重量轻便于搬运和固定安装
- 多吊挂点与支撑配合，操作简易快捷

适用范围

- 语言扩声、会议室
- 多功能厅、高级酒店会所
- 流动商演、乐队扩声以及舞台返送音箱



MODEL
FREQUENCY RESPONSE(-3dB)
FREQUENCY RESPONSE(-10dB)
DRIVERS

RATED POWER
SENSITIVITY
MAXIMUM SPL
IMPEDANCE
DISPERSION(-6dB)
CROSSOVER FREQUENCIES
INPUT CONNECTORS
PACKAGE SIZE
NET WEIGHT
GROSS WEIGHT

LH10 II
60 Hz-18kHz
55 Hz-20kHz
1×10"(250mm)/3"voice coil LF
1×1"(25mm)/1.7"voice coil HF
250W RMS,1000W peak
96dB 1watt/1 metre
120dB continuous,126 dB peak
8 ohms nominal
90°×50°
2.5kHz passive
2×Speakon NL4
391mm×380mm×605mm
13 kg/pc
14 kg/pc