



K118B K118BAS

series

Sub-woofer System

K118B is a single 18" subwoofer, bass-reflex design, customized woofer, rich and powerful sound. Unit configuration: 1x18" 100mm high efficiency woofer. The cabinet is made of multilayer composite plywood with wear-resistant polyurea paint. K118BAS is an active system with two channels digital amplifier with DSP, which has full range and sub outputs functions.

K118B是一款单18"超低音箱，倒相式箱体设计，特制低音单元，低音丰满有力度。单元配置：1只18"100芯高效率超低音单元。箱体采用多层复合夹板，聚脲喷涂，K118BAS是拥有两通道带DSP数字功放的有源系统，具有全频和超低音输出功能。



FEATURES

- High quality unit configuration
- Multi-ways for installation, easy and quick operation
- Digital amplifier with DSP
- With full range and sub outputs
- Applications: small touring, churches, conference rooms, multifunction halls, can be used with K506/K606/K806 to improve the bass performance.

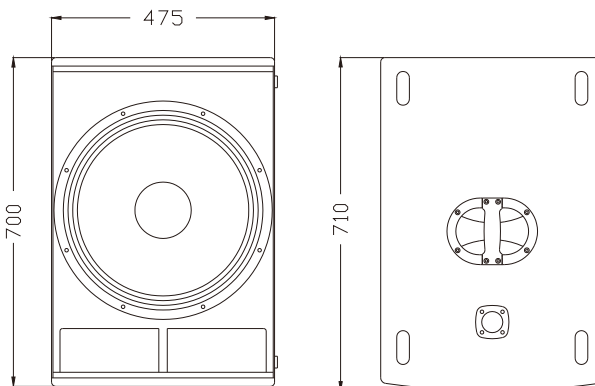
产品特点

- 高质量单元配置，多层复合夹板箱体聚脲喷涂
- 多种安装方式，操作简易快捷
- 开关电源数字功放，内置DSP信号处理
- 具有超低音及全频输出功能

适用范围

- 流动商演、教堂、会议室、多功能厅
- 配合K506/K606/K806使用，提升低频表现

CONFIGURATION



MODEL

FREQUENCY RESPONSE(-3dB)

DRIVERS

RATED POWER

SENSITIVITY

MAXIMUM SPL

IMPEDANCE

INPUT CONNECTORS

PACKAGE SIZE

NET WEIGHT

GROSS WEIGHT

K118B

35Hz-300Hz

1×18"(460mm)/4"voice coil LF

600W RMS,2400W peak

99dB 1watt/1meter

127dB continuous,133dB peak

8 ohms nominal

2×Speakon NL4

802mm×567mm×789mm

42 kg/pc

47 kg/pc

K118BAS

35Hz-300Hz and 50Hz-20kHz

1×18"(460mm)/4"voice coil LF

900W/4Ω+1200W/4Ω

--

127dB continuous,133dB peak

--

INPUT TYPE: Balanced Differential line

802mm×567mm×789mm

44 kg/pc

49 kg/pc