



# K series K112B K112BAS

## Sub-woofer System

**K112B is a single 12" subwoofer**, bass-reflex design, customized woofer, rich and powerful sound. Unit configuration: 1x12" 75mm high efficiency woofer. The cabinet is made of multilayer composite plywood with wear-resistant polyurea paint. K112BAS is an active system with two channels digital amplifier with DSP, which has full range and sub outputs functions.

**K112B是一款单12"超低音箱**，倒相式箱体设计，特制低音单元，低音丰满有力度。单元配置：1只12"75芯高效率超低音单元。箱体采用多层复合夹板，聚脲喷涂，K112BAS是拥有两通道带DSP数字功放的有源系统，具有全频和超低音输出功能。



### FEATURES

- High quality unit configuration
- Multi-ways for installation, easy and quick operation
- Digital amplifier with DSP
- With full range and sub outputs
- Applications: small touring, churches, conference rooms, multifunction halls, can be used with K series full range speaker to improve the bass performance.

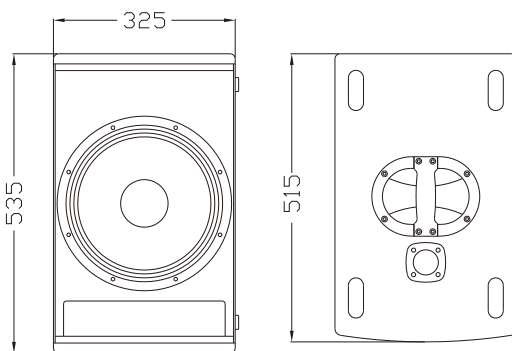
### 产品特点

- 高质量单元配置，多层复合夹板箱体聚脲喷涂
- 多种安装方式，操作简易快捷
- 开关电源数字功放，内置DSP信号处理
- 具有超低音及全频输出功能

### 适用范围

- 流动商演、教堂、会议室、多功能厅
- 配合小型K系列全频使用、提升低频表现

### CONFIGURATION



#### MODEL

#### FREQUENCY RESPONSE(-3dB)

#### DRIVERS

#### RATED POWER

#### SENSITIVITY

#### MAXIMUM SPL

#### IMPEDANCE

#### INPUT CONNECTORS

#### PACKAGE SIZE

#### NET WEIGHT

#### GROSS WEIGHT

#### K112B

40Hz-300Hz

1×12"(300mm)/3"voice coil LF

300W RMS,1200W peak

96dB 1watt/1meter

121dB continuous,127dB peak

8 ohms nominal

2×Speakon NL4

605mm×415mm×632mm

22 kg/pc

26 kg/pc

#### K112BAS

40Hz-300Hz and 50Hz-20kHz

1×12"(300mm)/3"voice coil LF

350W/8Ω+350W/8Ω, 700W/4Ω+700W/4Ω

--

121dB continuous,127dB peak

--

INPUT TYPE: Balanced Differential line

605mm×415mm×632mm

24 kg/pc

28 kg/pc