

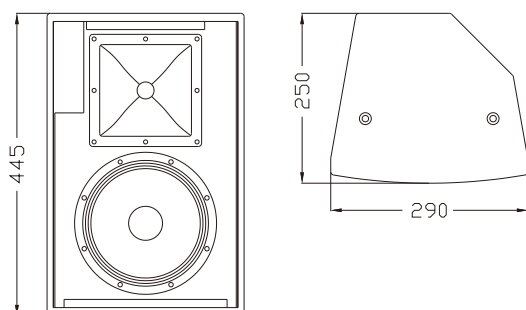
# FT series FT8II

## Two-way Loudspeaker System

**The FT8 II is a 8" two-way full range speaker.** Unit configuration: 1x8" high efficiency mid-bass unit, 1x1" exit throat 25mm mylar diaphragm HF driver with 90°×50° rotatable horn. The cabinet is made of MDF with water-based environmental protection paint.

FT8 II 是一款8"两分音全音域音箱。单元配置：1只8"高效率中低音单元，1只1"喉口25芯高分子聚酯膜高音驱动器配置90°×50°可旋转号角。箱体采用高密度复合板，水性环保喷涂制作。

### CONFIGURATION



### FEATURES

- High quality MDF housing
- Small size, light weight, easy handling and fixed installation
- Multi-hanging points and support, easy and quick operation
- Applications: full range reinforcement, speech and conference halls, background music, classrooms

### 产品特点

- 高强度复合板箱体
- 高强度复合板箱体
- 体积小、重量轻便于搬运和固定安装
- 多吊挂点与支撑配合，操作简易快捷

### 适用范围

- 用于全音域扩声、语言扩声会议系统
- 背景音乐重放、学校教室



**MODEL**  
**FREQUENCY RESPONSE(-3dB)**  
**FREQUENCY RESPONSE(-10dB)**  
**DRIVERS**

**RATED POWER**  
**SENSITIVITY**  
**MAXIMUM SPL**  
**IMPEDANCE**  
**DISPERSION(-6dB)**  
**CROSSOVER FREQUENCIES**  
**INPUT CONNECTORS**  
**PACKAGE SIZE**  
**NET WEIGHT**  
**GROSS WEIGHT**

**FT8 II**  
**55Hz-18kHz**  
**50Hz-20kHz**  
**1×8"(200mm)/1.5"voice coil LF**  
**1×1"(25mm)/ 1"voice coil HF**  
**100W RMS,400W peak**  
**92dB 1watt/1 metre**  
**112 dB continuous,118 dB peak**  
**8 ohms nominal**  
**90°×50°**  
**2.5 kHz passive**  
**2×Speakon NL4**  
**615mm×380mm×535mm(carton/pair)**  
**9 kg/pc**  
**21 kg/pair**