



FT series FT2153 II

Two-way Loudspeaker System

The FT2153 II is a dual 15" two-way full range speaker. Unit configuration: 2x15" high efficiency mid-bass unit, 1x1" exit throat 44mm polyester diaphragm HF driver with special designed horn. The cabinet is made of MDF with water-based environmental protection paint.

FT2153 II 是一款双15"两分音全音域音箱。单元配置：2只15"高效率低音单元，1只1"喉口44芯高分子聚酯膜高音驱动器配置专门设计的号角。箱体采用高密度复合板，水性环保喷涂制作。

FEATURES

- High quality MDF housing
- Multi-hanging points
- Applications: full range reinforcement, speech and conference halls, multifunction halls, classrooms ,small outdoor reinforcement

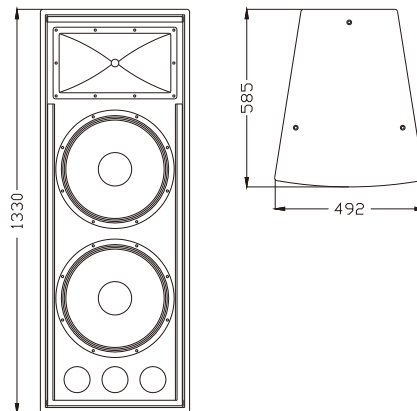
产品特征

- 高强度复合板箱体
- 多吊挂点

适用范围

- 用于全音域扩声、语言会议系统
- 多功能厅、学校教室
- 小型室外扩声

CONFIGURATION



MODEL

FREQUENCY RESPONSE(-3dB)

FREQUENCY RESPONSE(-10dB)

DRIVERS

RATED POWER

SENSITIVITY

MAXIMUM SPL

IMPEDANCE

DISPERSION(-6dB)

CROSSOVER FREQUENCIES

INPUT CONNECTORS

PACKAGE SIZE

NET WEIGHT

GROSS WEIGHT

FT2153 II

40Hz-20kHz

35Hz-20kHz

2×15"(385mm)/3" voice coil LF

1×1"(25mm)/ 1.7"voice coil HF

800W RMS,3200W peak

100dB 1watt/1 metre

129 dB continuous,135 dB peak

4 ohms nominal

100°×50°

2.2 kHz passive

2×Speakon NL4

705mm×615mm×1460mm

57 kg/pc

69 kg/pc

