

FT series FT12II

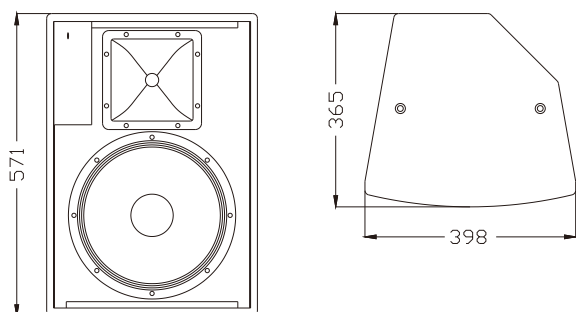
Two-way Loudspeaker System

The FT12 II is a 12" two-way full range speaker. Unit configuration: 1x12" high efficiency mid-bass unit, 1x1" exit throat 34mm titanium diaphragm HF driver with 80°x50° rotatable horn. The cabinet is made of MDF with water-based environmental protection paint.

FT12 II 是一款12"两分音全音域音箱。单元配置：1只12"高效率低音单元，1只1"喉口34芯钛膜高音驱动器配置 80°x50° 可旋转号角。箱体采用高密度复合板，水性环保喷涂制作。



CONFIGURATION



FEATURES

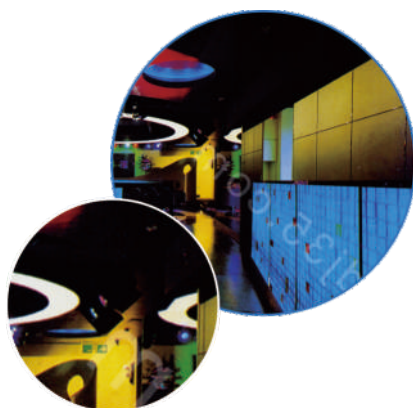
- High quality MDF housing
- Multi-hanging points and support, easy and quick operation
- Applications: full range reinforcement, speech and conference halls, multifunction halls, classrooms, small outdoor reinforcement

产品特点

- 高强度复合板箱体
- 多吊挂点与支撑配合，操作简易快捷

适用范围

- 用于全音域扩声、语言会议系统
- 多功能厅、学校教室
- 小型室外扩声



MODEL
FREQUENCY RESPONSE(-3dB)
FREQUENCY RESPONSE(-10dB)
DRIVERS

RATED POWER
SENSITIVITY
MAXIMUM SPL
IMPEDANCE
DISPERSION(-6dB)
CROSSOVER FREQUENCIES
INPUT CONNECTORS
PACKAGE SIZE
NET WEIGHT
GROSS WEIGHT

FT12 II
45Hz-20kHz
40Hz-20kHz
1×12"(300mm)/2.5" voice coil LF
1×1"(25mm)/ 1.4"voice coil HF
250W RMS,1000W peak
96dB 1watt/1 metre
120 dB continuous,126 dB peak
8 ohms nominal
80°×50°
2.2 kHz passive
2×Speakon NL4
490mm×455mm×665mm
19 kg/pc
21 kg/pc