

ES series ES108

Two-way Loudspeaker System

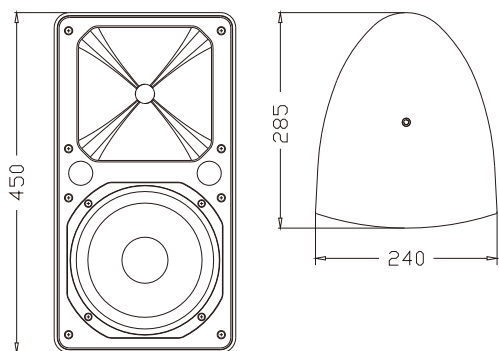


pro audio

ES108 series is a group of 8" two-way all-weather speakers with different colors and functions. With waterproof, dustproof, windproof, anti-uv aging, specially designed dustproof and waterproof cover for input and output, has a pressing device, multi-layer different functional grille. The cabinet meets the IP46 standard. The exposed metal parts are made of stainless steel or aluminum, and the mounting bracket is sprayed with low-carbon steel, which can meet all-weather use (the version suitable for the marine environment can be customized, and the mounting bracket is upgraded to 316 stainless steel). Unit configuration: 1x8" ferrite mid-bass and 1x 1" exit throat 25mm HF driver, the cabinet is made of polymer compound injection molding. B and W after the model represent black and white, T represents the configuration of transformer and band switch, to achieve a variety of different output powers including constant resistance.

ES108系列型号是一组8"两分音不同颜色及功能的全天候系列音箱。具有防水、防尘、防风、抗紫外线老化、输入输出用专门设计的防尘防水盖板，并有迫紧装置，多层不同功能面网。产品满足IP46标准，外露金属件采用不锈钢或铝质喷涂，安装支架为低碳钢喷涂，满足全天候使用(可以定制适应海洋环境的版本，安装支架升级为316不锈钢)，单元配置：1只8"铁氧体中低音单元、1只1"喉口25芯高音驱动器，箱体采用高分子化合物射出成型。型号后的B、W分别代表黑色和白色，T表示配置音频变压器及波段开关，实现多种不同输出功率包括定阻。

CONFIGURATION



FEATURES

- Pass IP46 testing, meet all-weather use
- The cabinet is made of polymer compound injection molding
- Customized unit, better bass performance
- Applications: outdoor restaurants, bars, conference rooms, classrooms, parks, sound reinforcement of scenic areas, houseboats and seascides(customized)

产品特征

- 产品通过IP46测试，满足全天候使用
- 箱体采用高分子化合物射出成型。
- 特制单元，有较好的低音表现

适用范围

- 户外餐厅、酒吧
- 教室、会议室
- 主题公园、景区扩声
- 游艇、海边户外近场扩声（需定制）

MODEL

FREQUENCY RESPONSE(-3dB)

FREQUENCY RESPONSE(-10dB)

DRIVERS

INPUT VOLTAGE

RATED POWER

SENSITIVITY

MAXIMUM SPL

IMPEDANCE

DISPERSION(-6dB)

CROSSOVER FREQUENCIES

INPUT CONNECTORS

PACKAGE SIZE

NET WEIGHT

GROSS WEIGHT

ES108B/ES108W

60Hz-18kHz

55Hz-20kHz

1×8"(200mm)/2"voice coil LF

1×1"(25mm)/1"voice coil HF

150W RMS,600W peak

94dB 1watt/1 metre

116dB continuous,122dB peak

16 ohms nominal

90°×50°

2.3kHz passive

covered barrier strip terminals

352mm×292mm×505mm

9 kg/pc

11 kg/pc

ES108BT/ES108WT

60Hz-18kHz

55Hz-20kHz

1×8"(200mm)/2"voice coil LF

1×1"(25mm)/1"voice coil HF

100V

37.5W/75W/150W/OFF/16Ω

94dB 1watt/1 metre

116dB continuous,122dB peak

16 ohms nominal

90°×50°

2.3kHz passive

covered barrier strip terminals

352mm×292mm×505mm

10 kg/pc

12 kg/pc