

# series CX15 CX150A

## Two-way Loudspeaker System

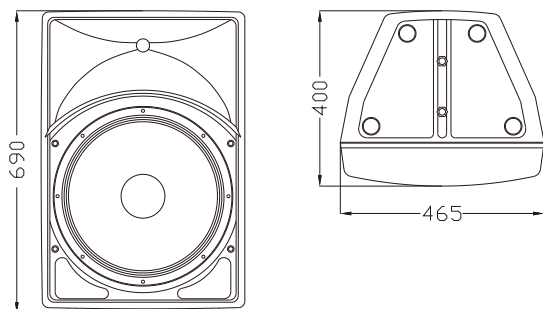
The CX15 is a 15" two-way full range plastic speaker. Unit configuration: 1x15" high efficiency mid-bass unit, 1x1" exit throat 25mm mylar diaphragm HF driver. The cabinet is made of engineering plastic injection molding. CX150A is a high power active speaker, equipped with 300W+100W amplifier.

CX15是一款15"两分音全频塑胶音箱。单元配置：采用1只15"高效率低音单元，1只1"喉口25芯高分子聚酯膜高音驱动器。箱体采用工程塑胶射出成形。CX15A是在CX15的基础上配置300W+100W功放成为有源音箱。



pro audio

### CONFIGURATION



### FEATURES

- High quality unit configuration, engineering plastic housing
- Multi-hanging points and support, can be fixed installation and touring
- Applications: full range reinforcement, speech and conference halls, multifunction halls, classrooms

### 产品特点

- 高质量单元配置,工程塑胶箱体
- 多吊挂点与支撑配合,可以固定安装与流动使用

### 适用范围

- 用于全音域扩声、语言会议系统
- 多功能厅、学校教室

#### MODEL

FREQUENCY RESPONSE(-3dB)

FREQUENCY RESPONSE(-10dB)

DRIVERS

RATED POWER

SENSITIVITY

MAXIMUM SPL

IMPEDANCE

DISPERSION(-6dB)

CROSSOVER FREQUENCIES

INPUT CONNECTORS

PACKAGE SIZE

NET WEIGHT

GROSS WEIGHT

#### CX15

40Hz-20kHz

35Hz-20kHz

1×15"(380mm)/2.5"voice coil LF

1×1"(25mm)/ 1"voice coil HF

300W RMS,1200W peak

97dB 1watt/1 metre

122dB continuous,128dB peak

8 ohms nominal

90°×60°

2.2kHz passive

2×Speakon NL4

530mm×490mm×775mm

19 kg/pc

22 kg/pc

#### CX150A

40Hz-20kHz

35Hz-20kHz

1×15"(380mm)/3"voice coil LF

1×1"(25mm)/ 1.7"voice coil HF

300W/8Ω+100W/8Ω

/

122dB continuous,128 dBpeak

Line 20k ohm Mic: 2k ohm

90°×60°

/

/

530mm×490mm×775mm

28 kg/pc

32 kg/pc