



CX12 CX12A

Two-way Loudspeaker System

The CX12 is a 12" two-way full range plastic speaker. Unit configuration: 1x12" high efficiency mid-bass unit, 1x1" exit throat 25mm mylar diaphragm HF driver. The cabinet is made of engineering plastic injection molding. CX12A is equipped with 250W amplifier based on CX12 to be an active speaker.

CX12是一款12"两分音全频塑胶音箱。单元配置：采用1只12"高效率低音单元，1只1"喉口25芯高分子聚酯膜高音驱动器。箱体采用工程塑胶射出成形。CX12A是在CX12的基础上配置250W功放成为有源音箱。

FEATURES

- High quality unit configuration, engineering plastic housing
- Multi-hanging points and support, can be fixed installation and touring
- Applications: full range reinforcement, speech and conference halls, multifunction halls, classrooms



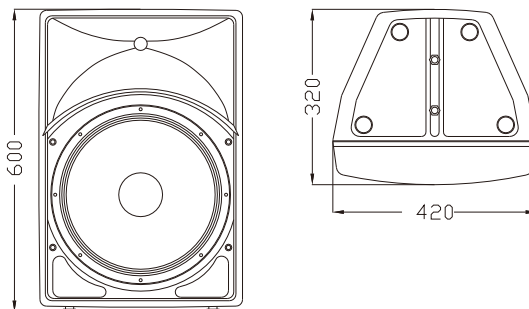
产品特点

- 高质量单元配置,工程塑胶箱体
- 多吊挂点与支撑配合,可以固定安装与流动使用

适用范围

- 用于全音域扩声、语言会议系统
- 多功能厅、学校教室

CONFIGURATION



MODEL

FREQUENCY RESPONSE(-3dB)

FREQUENCY RESPONSE(-10dB)

DRIVERS

RATED POWER

SENSITIVITY

MAXIMUM SPL

IMPEDANCE

DISPERSION(-6dB)

CROSSOVER FREQUENCIES

INPUT CONNECTORS

PACKAGE SIZE

NET WEIGHT

GROSS WEIGHT

CX12

40Hz-20kHz

35Hz-20kHz

1×12"(300mm)/2.5" voice coil LF

1×1"(25mm)/ 1"voice coil HF

250W RMS,1000W peak

96dB 1watt/1 metre

120 dB continuous,126dB peak

8 ohms nominal

90°×60°

2.2kHz passive

2×Speakon NL4

465mm×385mm×675mm

15 kg/pc

17 kg/pc

CX12A

40Hz-20kHz

35Hz-20kHz

1×12"(300mm)/2.5" voice coil LF

1×1"(25mm)/ 1"voice coil HF

250W/8Ω

/

120 dB continuous,126dB peak

Line 20k ohm Mic: 2k ohm

90°×60°

/

/

465mm×385mm×675mm

19 kg/pc

22 kg/pc