

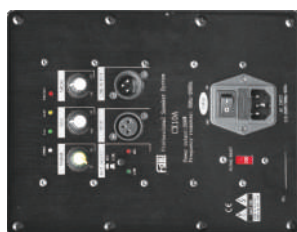
CX series **CX10** **CX10A**

Two-way Loudspeaker System

The CX10 is a 10" two-way full range plastic speaker. Unit configuration: 1x10" high efficiency mid-bass unit, 1x1" exit throat 25mm mylar diaphragm HF driver. The cabinet is made of engineering plastic injection molding. CX10A is equipped with 200W amplifier based on CX10 to be an active speaker.

CX10是一款10"两分音全频塑胶音箱。单元配置：采用1只10"高效率低音单元，1只1"喉口25芯高分子聚酯膜高音驱动器。箱体采用工程塑胶射出成形。CX10A是在CX10的基础上配置200W功放成为有源音箱。

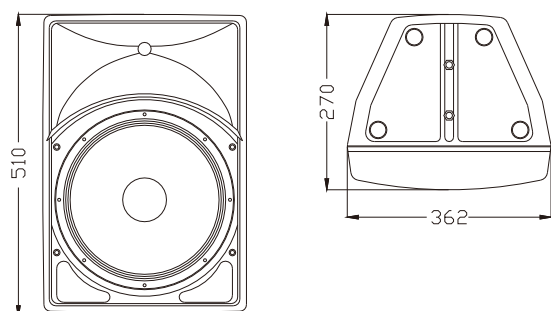
pro audio



FEATURES

- High quality unit configuration, engineering plastic housing
- Multi-hanging points and support, can be fixed installation and touring
- Applications: full range reinforcement, speech and conference halls, multifunction halls, classrooms

CONFIGURATION



产品特点

- 高质量单元配置,工程塑胶箱体
- 多吊挂点与支撑配合,可以固定安装与流动使用

适用范围

- 用于全音域扩声、语言会议系统
- 多功能厅、学校教室

MODEL

FREQUENCY RESPONSE(-3dB)

FREQUENCY RESPONSE(-10dB)

DRIVERS

RATED POWER

SENSITIVITY

MAXIMUM SPL

IMPEDANCE

DISPERSION(-6dB)

CROSSOVER FREQUENCIES

INPUT CONNECTORS

PACKAGE SIZE

NET WEIGHT

GROSS WEIGHT

CX10

55Hz-20kHz

50Hz-20kHz

1×10"(250mm)/2" voice coil LF

1×1"(25mm)/ 1"voice coil HF

150W RMS,600W peak

95dB 1watt/1 metre

117 dB continuous,123dB peak

8 ohms nominal

90°×60°

2.5 kHz passive

2× Speakon NL4

405mm×325mm×565mm

10 kg /pc

12 kg/pc

CX10A

55Hz-20kHz

50Hz-20kHz

1×10"(250mm)/2" voice coil LF

1×1"(25mm)/ 1"voice coil HF

200W/8Ω

/

117 dB continuous,123dB peak

Line 20k ohm Mic: 2k ohm

90°×60°

/

/

405mm×325mm×565mm

13 kg /pc

15 kg/pc