



# CLseries CL4025

## Two-way Loudspeaker System

The CL4025 series is a 4", two-way, all-weather column speaker with different colours or functions, with waterproof, dustproof, windproof, anti-uv aging, dustproof and waterproof covers specially designed for input and output, and multi-layer different functional grille. The product meets the IP56 standard. The exposed metal parts are sprayed with stainless steel or aluminum, and the mounting bracket is sprayed with low-carbon steel to meet all-weather use. The sound is soft and balanced. Unit configuration: 4x4" 25mm voice coil ferrite mid-bass units, 1x1" exit throat 34mm HF driver with horn, the cabinet is made of aluminum alloy, and the upper and lower panels of the cabinet are die-cast. The B and W after the model represent black, T represents the configuration of transformer and band switch to achieve a variety of different output powers including constant resistance.

CL4025系列型号是一组4"两分音不同颜色或功能的全天候音柱，具有防水、防尘、防风、抗紫外线老化、输入输出专门设计的防尘防水盖，多层不同功能面网。产品满足IP56标准，外露金属件采用不锈钢或铝质喷涂，安装支架为低碳钢喷涂，满足全天候使用，声音柔和平衡。单元配置：4只4"25芯铁氧体中低音单元，1只1"喉口34芯高音驱动器+号角，箱体采用铝合金挤出成型，箱体上下板采用压铸成型。型号后的B、W分别代表黑色和白色，T表示配置音频变压器及波段开关，实现多种不同输出功率包括定阻。

### FEATURES

- Product parameters have been entered into EASE loudspeaker database
- Pass IP56 testing
- Aluminum alloy housing, impact resistance, weather resistance
- Two-way design, wide horizontal and vertical angles, soft and balanced sound
- Various installation methods, easy and fast operation
- Applications: outdoor sound reinforcement, parks, churches, conference rooms, classrooms, sound reinforcement for outdoor screens

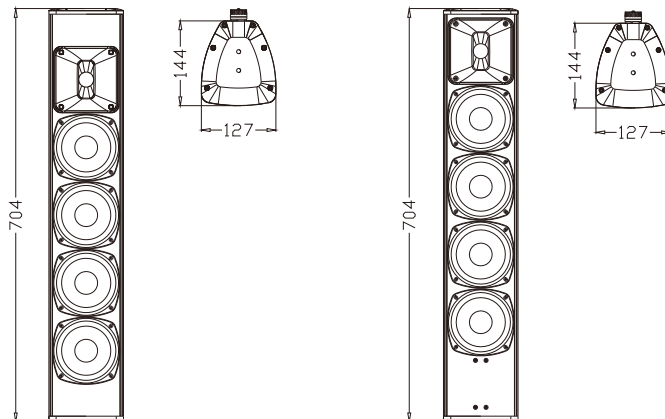
### 产品特点

- 产品参数已录入EASE扬声器数据库
- 通过IP56测试
- 铝合金箱体，耐冲击、抗风雨
- 两分音，水平及垂直角度较宽、声音柔和平衡
- 多种安装方式，操作简单快捷

### 适用范围

- 户外扩声、主题公园、教堂
- 会议室、教室
- 户外大屏扩声

### CONFIGURATION



CL4025B/CL4025W

CL4025BT/CL4025WT

#### MODEL

#### FREQUENCY RESPONSE(-10dB)

#### DRIVERS

#### INPUT VOLTAGE

#### RATED POWER

#### SENSITIVITY

#### MAXIMUM SPL

#### IMPEDANCE

#### DISPERSION(-6dB)

#### CROSSOVER FREQUENCIES

#### INPUT CONNECTORS

#### PACKAGE SIZE

#### NET WEIGHT

#### GROSS WEIGHT

#### CL4025B/CL4025W

120Hz-18kHz

4×4"(100mm)/1"voice coil LF

1×1"(25mm)/1.4"voice coil HF

130W RMS,520W peak

94dB 1watt/1 metre

115dB continuous,121dB peak

8 ohms nominal

100°×50°

1.9kHz passive

M22-2P

775mm×380mm×193mm(1 pair)

8.5 kg/pc

20 kg/pair

#### CL4025BT/CL4025WT

120Hz-18kHz

4×4"(100mm)/1"voice coil LF

1×1"(25mm)/1.4"voice coil HF

100V

30W/60W/120W/OFF/8Ω130W

94dB 1watt/1 metre

115dB continuous,121dB peak

8 ohms nominal

100°×50°

1.9kHz passive

M22-2P

775mm×380mm×193mm(1 pair)

9 kg/pc

21 kg/pair