



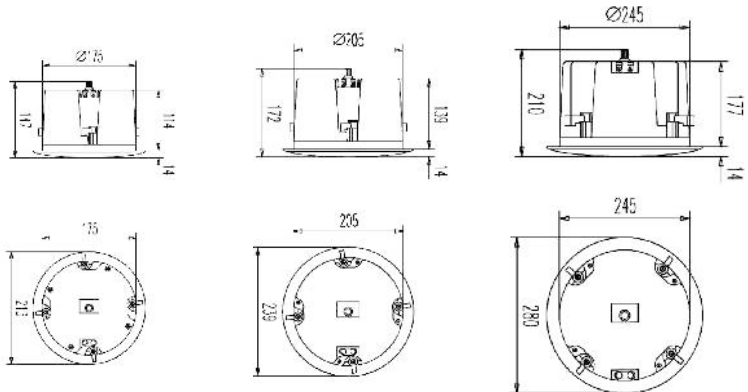
pro audio

Cseries C500T/C600T/C800T High-performance Ceiling Speaker



C500T/C600T/C800T series is a set of two way,direct inverting ,high-performance ceiling speaker. The compound edge of the bass unit and the dome tweeter coaxial design, featuring elastic bass, transparent and bright mid-high frequency.Simple and generous appearance design makes the speaker visual completely into the ceiling decoration.Suitable for meeting meeting rooms, retail stores, restaurants, hotels and other places to play background music and language reinforcement. The series products comply with numerous escape system safety annotations worldwide.

C500T/C600T/C800T系列是一组两分音，直射倒相式，高性能的天花安装音箱。复合边的中低音单元和球顶高音同轴设计，具有低频有弹性、中高频通透、亮丽等特点。简约大方的外观设计使扬声器视觉上完全融入天花装饰中。适合会议室、零售店、餐厅、酒店等场所的背景音乐播放和语言扩声。该系列产品符合全球众多逃生系统安全标注。



MODEL	C500T	C600T	C800T
FREQUENCY RESPONSE(-3dB)	140Hz-18KHz	130Hz-20KHz	120Hz-18KHz
INPUT VOLTAGE	100V	100V	100V
RATED POWER	8Ω/7.5W/15/30W	8Ω/10W/20/40W	8Ω/12.5W/25/50W
SENSITIVITY	88dB 1watt/1 metre	89dB 1watt/1 metre	90dB 1watt/1 metre
MAXIMUM SPL	93dB continuous,98dB peak	94dB continuous,99dB peak	95dB continuous,100dB peak
IMPEDANCE	8 ohms nominal	8 ohms nominal	8 ohms nominal
DISPERSION(-6dB)	90°	90°	90°
PACKAGE SIZE	525mm×490mm×400mm (8pcs/carton)	815mm×560mm×210mm (6pcs/carton)	625mm×330mm×470mm (4pcs/carton)
NET WEIGHT	13.6kg/8pcs	12.7kg/6pcs	11.4kg/4pcs
GROSS WEIGHT	19 kg/8pcs	18.5kg/6pcs	16 kg/4pcs